

# FAS Minisol MS 22 mm

Direct acting solenoid isolation valve  
Sub-base mounted  
3/2 NC/NO

**For highly contaminated fluids**

**High fluid compatibility thanks to optimum materials matching**

**Hermetic seal between fluid and actuator**

**Suitable for vacuum**

**Compact design**



## Technical data

Medium:

Aggressive gases and liquids

Operation:

Poppet valve, directly actuated with spring return

Operating pressure:

0 ... 7 bar

(see page 2 for details)

Mounting:

Through holes, M3 threaded

Flow characteristics:

Flow	Orifice	kv
58 ... 97 l/min.	1,6 ... 2,4 mm	0,9 ... 1,5

Fluid response time:

15ms

Ambient temperature:

-15°C to +50°C

Fluid temperature:

-15°C to +50°C

(consult our Technical Service for use below +2°C)

Weight.

0,16 kg

## Materials

(in contact with medium)

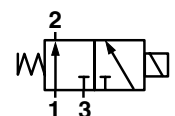
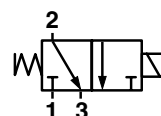
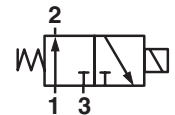
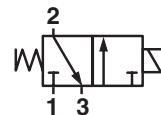
Body: PEEK

Elastomers: EPDM or FMP or FFKM

## Alternative options on request

Latch, Orifice: 0,8 and 3,0, Vacuum

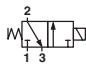
Voltage, Power, Material: PVDF Body



# FAS Minisol MS 22 mm

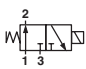
## Standard models

### 3/2 Normally closed isolation valves

Symbol	Function	Orifice (mm)	kv	Operating pressure (bar)	Manual Body	Manual Elastomers	Model Ordering number	Voltage	Power (W)	Drawing no.
	3/2 NC	1,6	0,9	0 ... 7	PEEK	EPDM	09-313E-03-B1+EDC+ASN	24 V d.c	5	1
	3/2 NC	1,6	0,9	0 ... 7	PEEK	FPM	09-313E-03-B5+EDC+ASN	24 V d.c	5	1
	3/2 NC	1,6	0,9	0 ... 7	PEEK	FFKM	09-313E-03-B6+EDC+ASN	24 V d.c	5	1
	3/2 NC	2,0	1,2	0 ... 5	PEEK	EPDM	09-313E-04-B1+EDC+ASN	24 V d.c	5	1
	3/2 NC	2,0	1,2	0 ... 5	PEEK	FPM	09-313E-04-B5+EDC+ASN	24 V d.c	5	1
	3/2 NC	2,0	1,2	0 ... 5	PEEK	FFKM	09-313E-04-B6+EDC+ASN	24 V d.c	5	1
	3/2 NC	2,4	1,5	0 ... 3,5	PEEK	EPDM	09-313E-05-B1+EDC+ASN	24 V d.c	5	1
	3/2 NC	2,4	1,5	0 ... 3,5	PEEK	FPM	09-313E-05-B5+EDC+ASN	24 V d.c	5	1
	3/2 NC	2,4	1,5	0 ... 3,5	PEEK	FFKM	09-313E-05-B6+EDC+ASN	24 V d.c	5	1

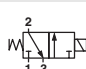
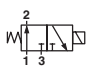
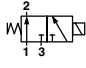
Note: Electrical conection: with connector C-6010, IP 65 protection

### 3/2 Normally opened isolation valves

Symbol	Function	Orifice (mm)	kv	Operating pressure (bar)	Manual Body	Manual Elastomers	Model Ordering number	Voltage	Power (W)	Drawing no.
	3/2 NO	1,6	0,9	0 ... 5	PEEK	EPDM	09-323E-03-B1+EDC+ASN	24 V d.c	5	1
	3/2 NO	1,6	0,9	0 ... 5	PEEK	FPM	09-323E-03-B5+EDC+ASN	24 V d.c	5	1
	3/2 NO	1,6	0,9	0 ... 5	PEEK	FFKM	09-323E-03-B6+EDC+ASN	24 V d.c	5	1
	3/2 NO	2,0	1,2	0 ... 3	PEEK	EPDM	09-323E-04-B1+EDC+ASN	24 V d.c	5	1
	3/2 NO	2,0	1,2	0 ... 3	PEEK	FPM	09-323E-04-B5+EDC+ASN	24 V d.c	5	1
	3/2 NO	2,0	1,2	0 ... 3	PEEK	FFKM	09-323E-04-B6+EDC+ASN	24 V d.c	5	1
	3/2 NO	2,4	1,5	0 ... 2,5	PEEK	EPDM	09-323E-05-B1+EDC+ASN	24 V d.c	5	1
	3/2 NO	2,4	1,5	0 ... 2,5	PEEK	FPM	09-323E-05-B5+EDC+ASN	24 V d.c	5	1
	3/2 NO	2,4	1,5	0 ... 2,5	PEEK	FFKM	09-323E-05-B6+EDC+ASN	24 V d.c	5	1

Note: Electrical conection: with connector C-6010, IP 65 protection

### 3/2 Universal isolation valves

Symbol	Function	Orifice (mm)	kv	Operating pressure (bar)	Manual Body	Manual Elastomers	Model Ordering number	Voltage	Power (W)	Drawing no.
	3/2 UNI	1,6	0,9	0 ... 5	PEEK	EPDM	09-333E-03-B1+EDC+ASN	24 V d.c	5	1
	3/2 UNI	1,6	0,9	0 ... 5	PEEK	FPM	09-333E-03-B5+EDC+ASN	24 V d.c	5	1
	3/2 UNI	1,6	0,9	0 ... 5	PEEK	FFKM	09-333E-03-B6+EDC+ASN	24 V d.c	5	1
	3/2 UNI	2,0	1,2	0 ... 3	PEEK	EPDM	09-333E-04-B1+EDC+ASN	24 V d.c	5	1
	3/2 UNI	2,0	1,2	0 ... 3	PEEK	FPM	09-333E-04-B5+EDC+ASN	24 V d.c	5	1
	3/2 UNI	2,0	1,2	0 ... 3	PEEK	FFKM	09-333E-04-B6+EDC+ASN	24 V d.c	5	1
	3/2 UNI	2,4	1,5	0 ... 2,5	PEEK	EPDM	09-333E-05-B1+EDC+ASN	24 V d.c	5	1
	3/2 UNI	2,4	1,5	0 ... 2,5	PEEK	FPM	09-333E-05-B5+EDC+ASN	24 V d.c	5	1
	3/2 UNI	2,4	1,5	0 ... 2,5	PEEK	FFKM	09-333E-05-B6+EDC+ASN	24 V d.c	5	1

Note: Electrical conection: with connector C-6010, IP 65 protection

### Electrical details

Voltage tolerance:	-10%/+15%
Rating:	100% E.D.
Electrical insulation:	1500 V a.c.
Insulation class:	F155°C
Electrical connection:	Tags 2 poles + ground according to DIN EN 175301-803 (replacing DIN 43650)
Coil Fixing:	M8 x 0,75 mm nut

### Accessories

#### Electrical connection

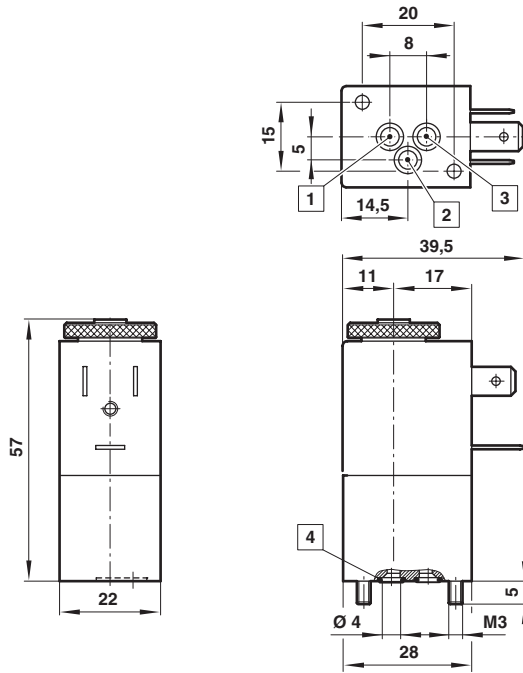


Single connector

C-6010

### Basic dimensions

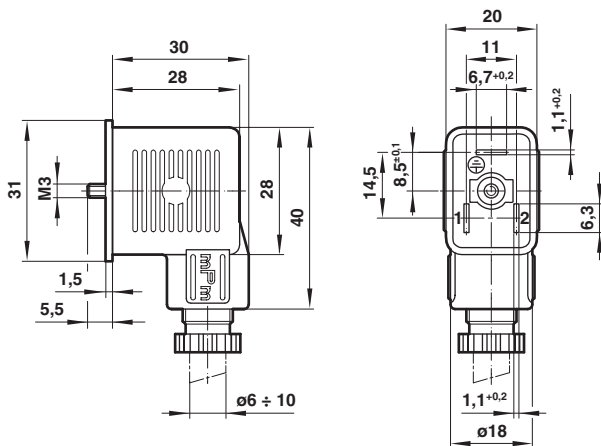
1



Function	1	2	3
NC	R	P	A
NO	P	A	R
SEL	P1	A	P2
MIX	A1	P	A2

- 1 Port 1
- 2 Port 2
- 3 Port 3
- 4 'O' rings

### Electrical connection



### Warning

The technical information given describe the normal features of our products and do not constitute a warranty declaration

The customer is responsible for checking whether its intended purpose is served by the goods ordered. The end of the usual life span of wear and tear parts does not represent a defect.

The system designer is warned to consider the failure modes of all component parts used in fluid power systems and to provide

adequate safeguards to prevent personal injury or damage to equipment in the event of such failure.

**System designers must provide a warning to end users in the system instructional manual if protection against a failure mode cannot be adequately provided.**

System designers and end users are cautioned to review specific warnings found in instruction sheets packed and shipped with these products.