

2/2-way valves DN 2 to DN 10

For neutral, aggressive gases and liquids up to 600 mm²/s

Pressure actuated by external fluid

Piston seat valves

Internal threads G 1/8 to G 1/2 or 1/8 NPT to 1/2 NPT

Operating pressure 0 to 25 bar

84190

84390

Stainless Steel

Description (standard valve)

Switching function:	normally closed
Flow direction:	fixed
Mounting position:	optional

Flow fluid range

Fluid temperature:	-10 °C up to max. +90 °C
Ambient temperature:	-10 °C up to max. +60 °C
Material Body:	Stainless steel (1.4408)
Seat seal:	PTFE
Internal parts:	Stainless steel
Seal packing:	PTFE / NBR self-adjustable



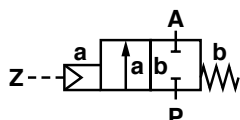
Pilot fluid range

Pilot fluid:	neutral gases
Fluid temperature:	max. +60 °C
Body:	Stainless steel (1.4404)
Seals:	NBR
Internal parts:	Stainless steel, Brass
Pilot pressure:	4 – 10 bar
Pilot port:	M5

Features

- Compact miniature actuator Ø 33 mm
- Actuator may be rotated 360°
- Suitable for contaminated process fluid
- Suitable for vacuum up to max. 90 %
- Reversed flow direction optional
- High flow rate
- Valve operates without pressure differential
- Clip angle M5 standard

Symbol



Ordering information

To order, quote model number from table overleaf, e.g. 8419260.0000.00000 for a DN 10 valve.

Characteristic data

Valves

Part Number	Nominal Diameter (mm)	Port Size	Pilot pressure		Operating pressure *		k _v -value ** (Base m ³ /h)	Weight (kg)
			min. (bar)	max. (bar)	min. (bar)	max. (bar)		
8419800.0000 8439800.0000	2	G 1/8 1/8 NPT	4	10	0	25	0.12	0.34
8419020.0000 8439020.0000	4	G 1/4 1/4 NPT	4	10	0	25	0.35	0.32
8419140.0000 8439140.0000	6	G 3/8 3/8 NPT	4	10	0	20	0.60	0.31
8419260.0000 8439260.0000	10	G 1/2 1/2 NPT	4	10	0	8	1.80	0.45

* with gases and liquid fluids up to 600 mm²/s (cSt)

** C_v-value (US) ≈ k_v-value x 1,2

Further Options (on request)

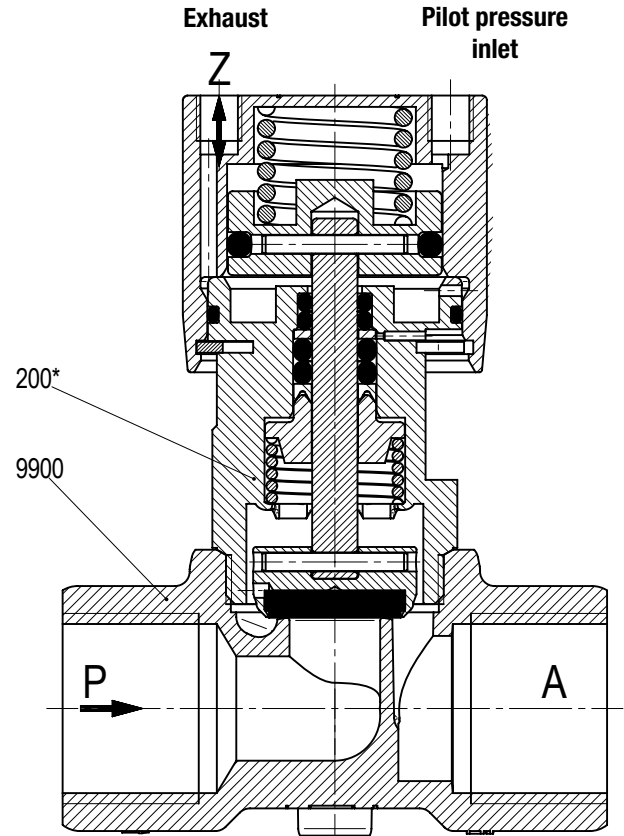
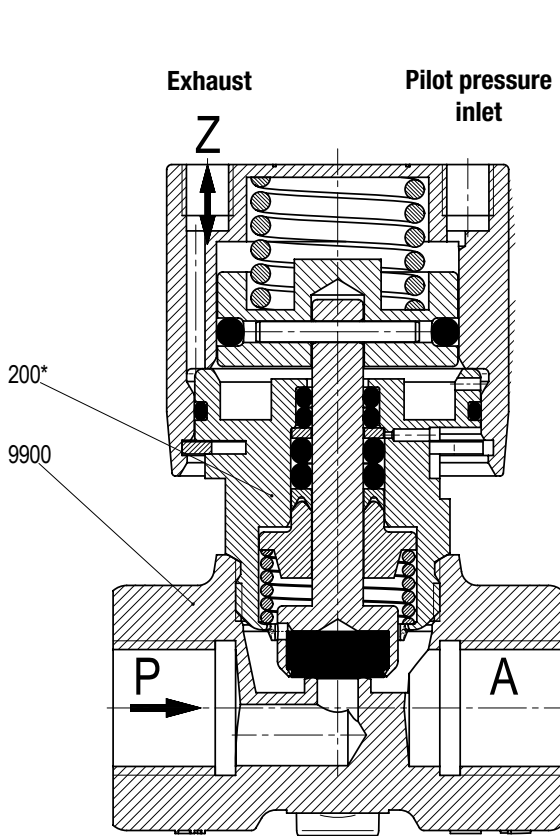
- Normally open
- Seat sealing FPM
- Seat sealing EPDM
- Double acting
- Oxygen model
- Higher operating pressure

Section view

G 1/8 - G 3/8

G 1/2

NC Version (normally closed)

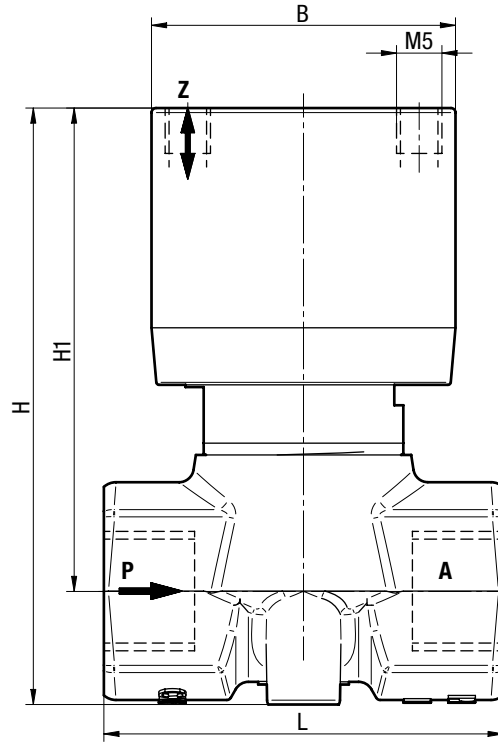


* 700 Actuator
9900 Valve body

* These individual parts form a complete wearing unit.
When ordering spare parts please state valve Cat No. and Series No.

General Dimension

Actuator may be rotated 360°



Part Number	Nominal Diameter (mm)	Port Size	L (mm)	H (mm)	H 1 (mm)	B * (mm)
8419800.0000 8439800.0000	2	G 1/8 1/8 NPT	44	65	53	33
8419020.0000 8439020.0000	4	G 1/4 1/4 NPT	44	65	53	33
8419140.0000 8439140.0000	6	G 3/8 3/8 NPT	44	65	53	33
8419260.0000 8439260.0000	10	G 1/2 1/2 NPT	60	81	67	33

* B = max. depth

