

**COMPACT
PNEUMATIC CYLINDERS
PKS-A SERIES 16- Ø25**



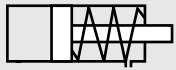


PKS-A SERIES

COMPACT - Ø16 - Ø25 - ISO 21287

COMPACT, MAGNETIC CYLINDER WITH FRONT SPRING

WITH SINGLE ACTING USAGE PROVIDES MINIMUM AIR CONSUMPTION AND EQUIPMENT COSTS



PKS: COMPACT CYLINDERS WITH SINGLE ACTING (SPRINGED FROM FRONT)



PKS-A: MAGNETIC COMPACT CYLINDERS WITH SINGLE ACTING (SPRINGED FROM FRONT)

Example of order:

PKS-A
Product Code

020-050
Cylinder Ø
Stroke

M4
Variants from
Standard System

VARIANTS FROM STANDARD SYSTEM:

- R1: Stainless Steel Piston Rod (SS 304-SS 316)
- R4: Stainless Steel Nut for Piston Rod (SS 304)
- R5: Piston Rod as CK45 (Hard Chrome Plated)
- M1: Extended male Piston Rod Thread
- M3: Special Piston Rod Thread
- M4: Extended Piston Rod
- K4: Piston Rod Seal Viton

Force:

Cylinder Ømm	Rod Ømm	Thrust Force (N)	Thrust and traction forces (6 Bar)											
			Traction Force (N)											
			Stroke5		Stroke10		Stroke15		Stroke20		Stroke25			
			F1	F2	F1	F2	F1	F2	F1	F2	F1	F2		
16	8	111	5	6	4	6	3	6	2	6	1	6		
20	10	160	8	9	7	9	6	9	5	9	4	9		
25	10	243	19	22	16	22	13	22	10	22	7	22		

Working Fluid:

Filtered and lubricated or filtered and not lubricated air

Operating Temperature Range:

Polyurethane (PU) : (-20°C) - (+80°C)

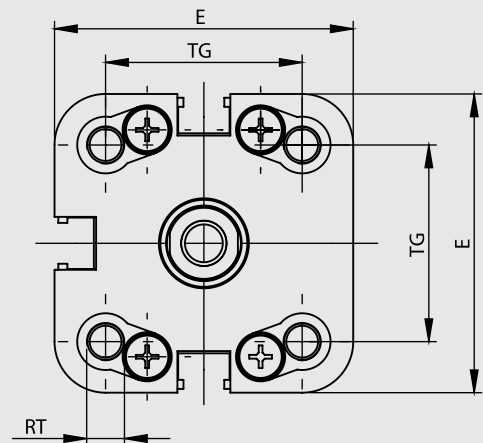
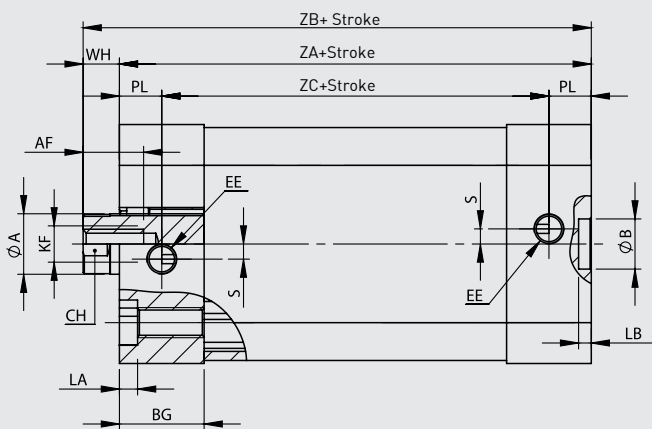
Viton (FKM) : (-30°C) - (+150°C)

Max. Work Pressure:

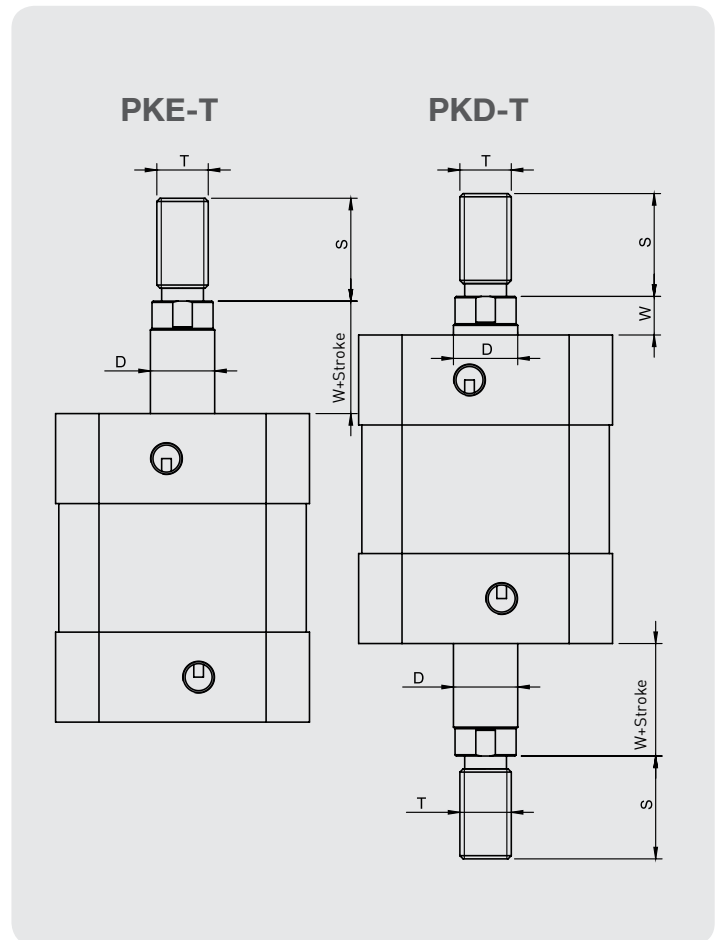
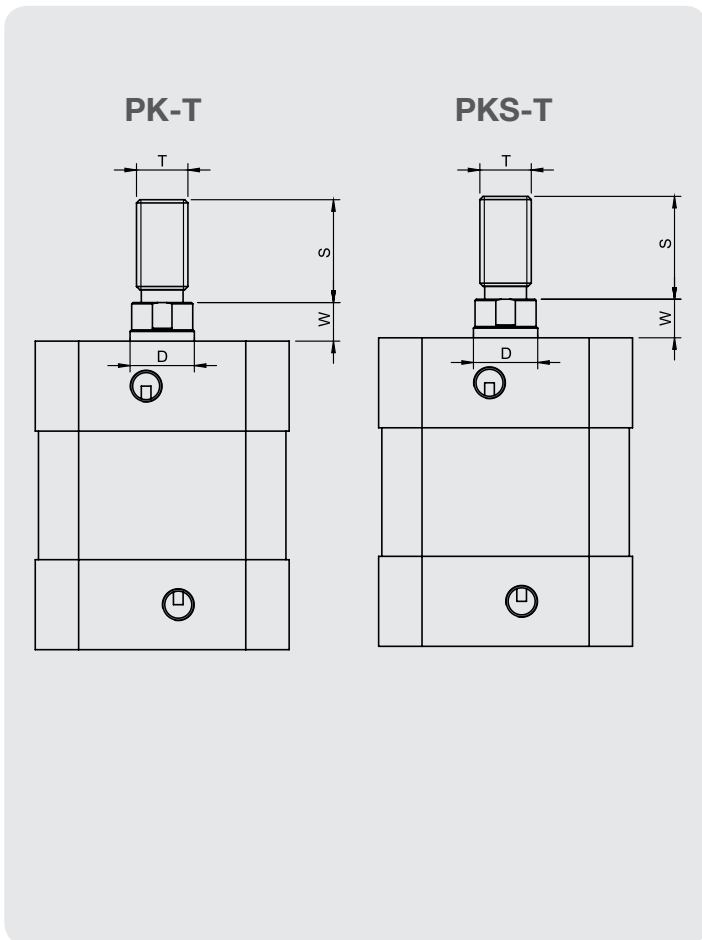
10 Bar



PKS-A SERIES
COMPACT - $\varnothing 16$ - $\varnothing 25$ - ISO 21287



Cylinder \varnothing mm	$\varnothing A$	CH	AF	WH	ZA	ZB	ZC	KF	EE	BG	TG	E	RT	LA	PL	$\varnothing B$	LB	S
16	8	6	8	4,5	48	52,5	22	M4	M5x0.8	12,25	18	29	M4	3,5	8	6	4	0
20	10	9	10	6	37	43	23	M6x1	M5x0.8	14,25	22	36	M5x0.8	3	7	9	2,1	2,5
25	10	9	10	6	39	45	25	M6x1	M5x0.8	14	26	39,5	M5x0.8	3	7	9	2,1	2,5



Cylinder type	Cylinder Ø mm	D	S	T	W
PK-PKS	16	8	20	M8x1.25	4,5
	20	10	16	M8x1.25	6
PKE-PKD	25	10	16	M8x1.25	6